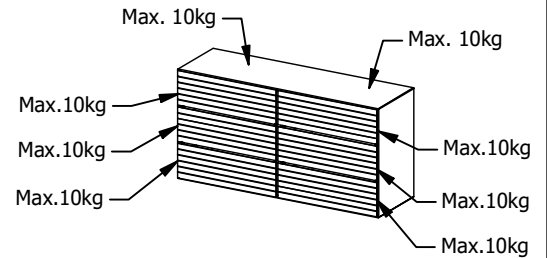
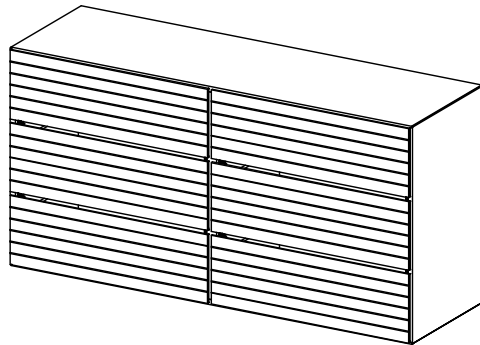


Lugano 3610

Design by BoConcept

Samvejledning - Assembly Instructions - Montageanleitung - Instructions d'assemblage - Instrucciones de montaje

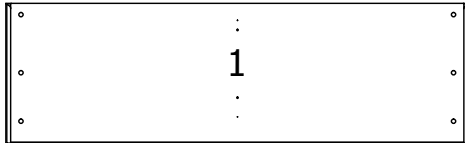


3610

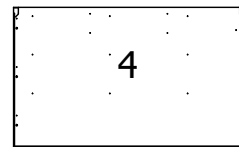
76,8x153,6x48 cm / Max. 80kg

Korpus - Korpus - Carcase - Carcasse
Colli nr.3611

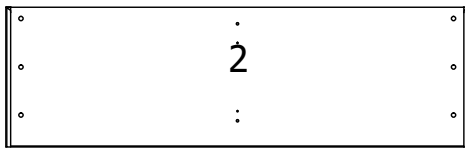
004993



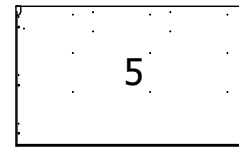
005055



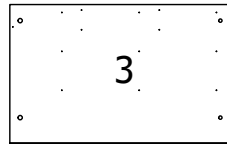
006671



005056



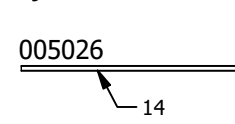
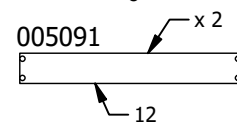
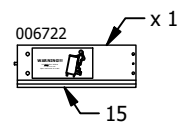
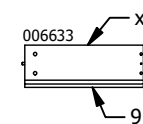
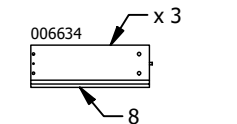
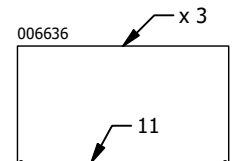
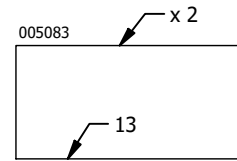
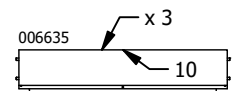
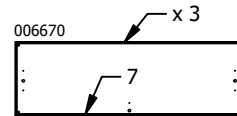
005334



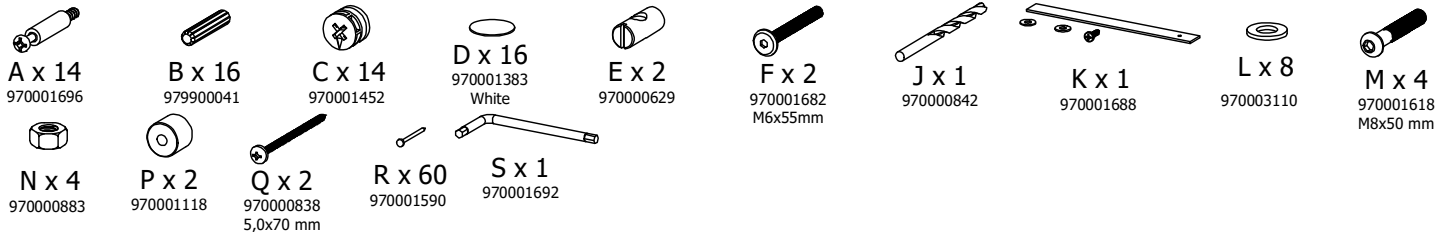
002870



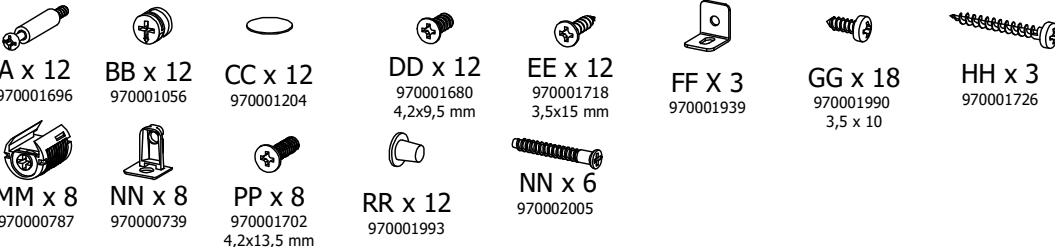
Colli nr.3612 x2



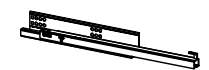
Beslag - Beslage - Fittings - Set de montage
Colli nr.3611 - Fittingbox: 930001144



Colli nr.3612 x 2 - Fittingbox: 930001158






Fittingbox: 930001146 x6
Col. 3612



Verktj - Werkzeuge - Tools - Outils



FIG. 1

-  A x 12
-  B x 4
-  C x 2

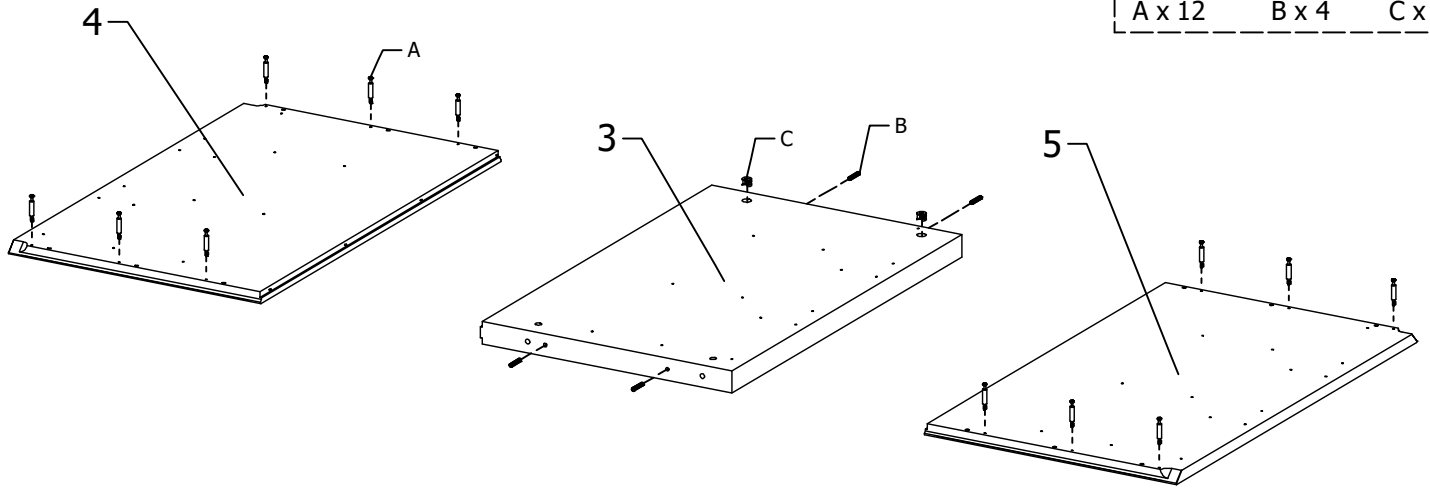





FIG. 2

-  A x 2
-  B x 12
-  C x 12

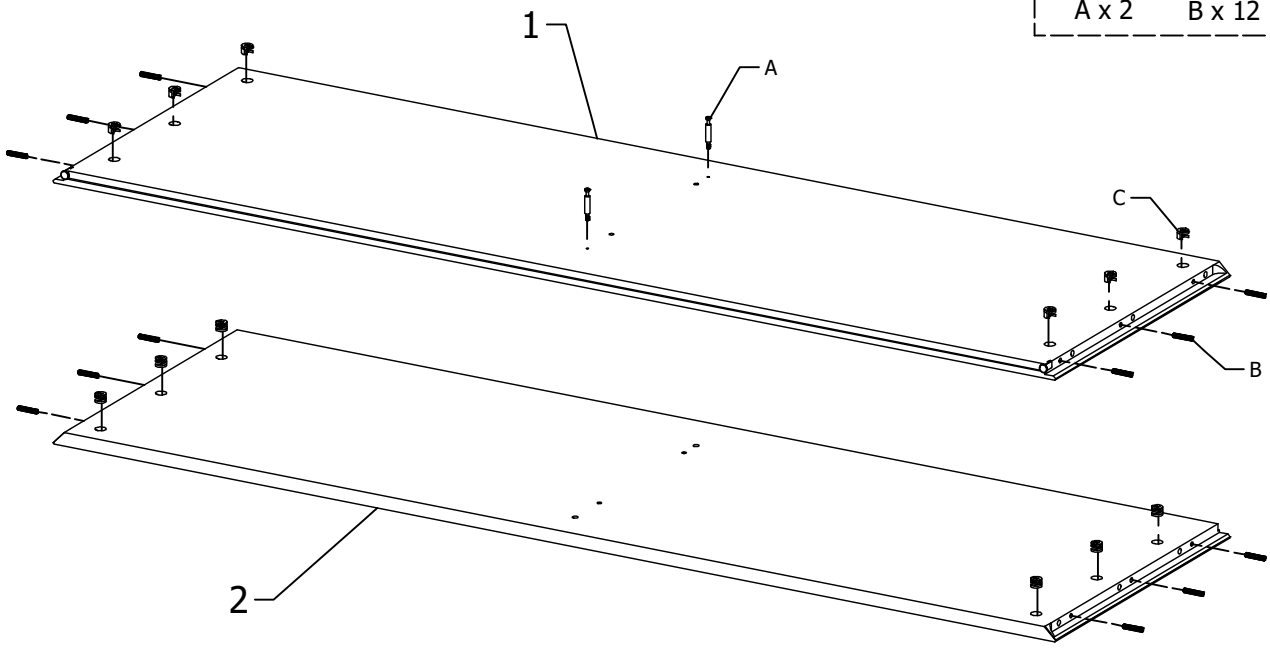


FIG. 3

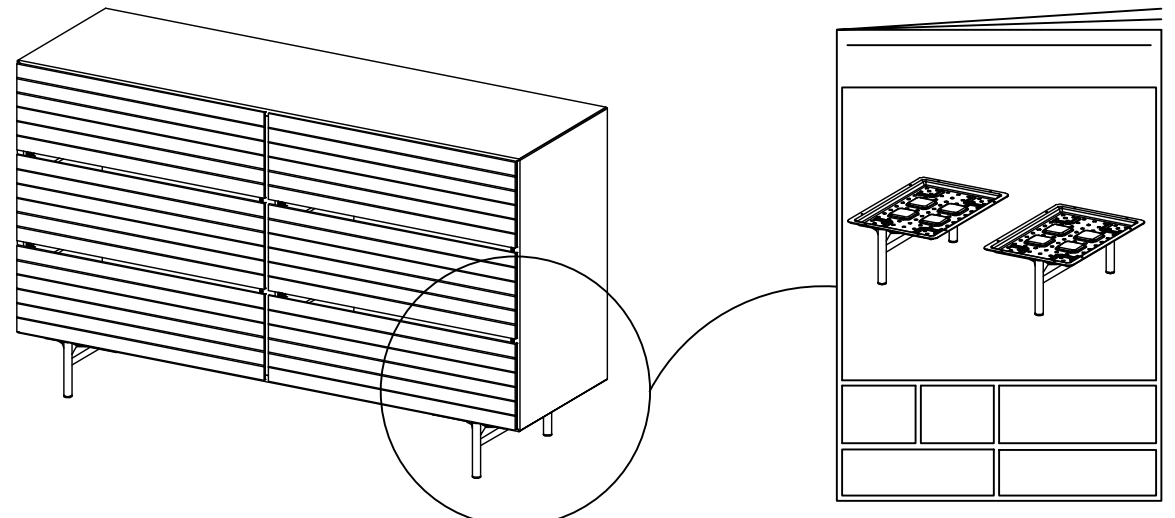






FIG. 4

-  D x 2
-  E x 2
-  F x 2
-  S x 1

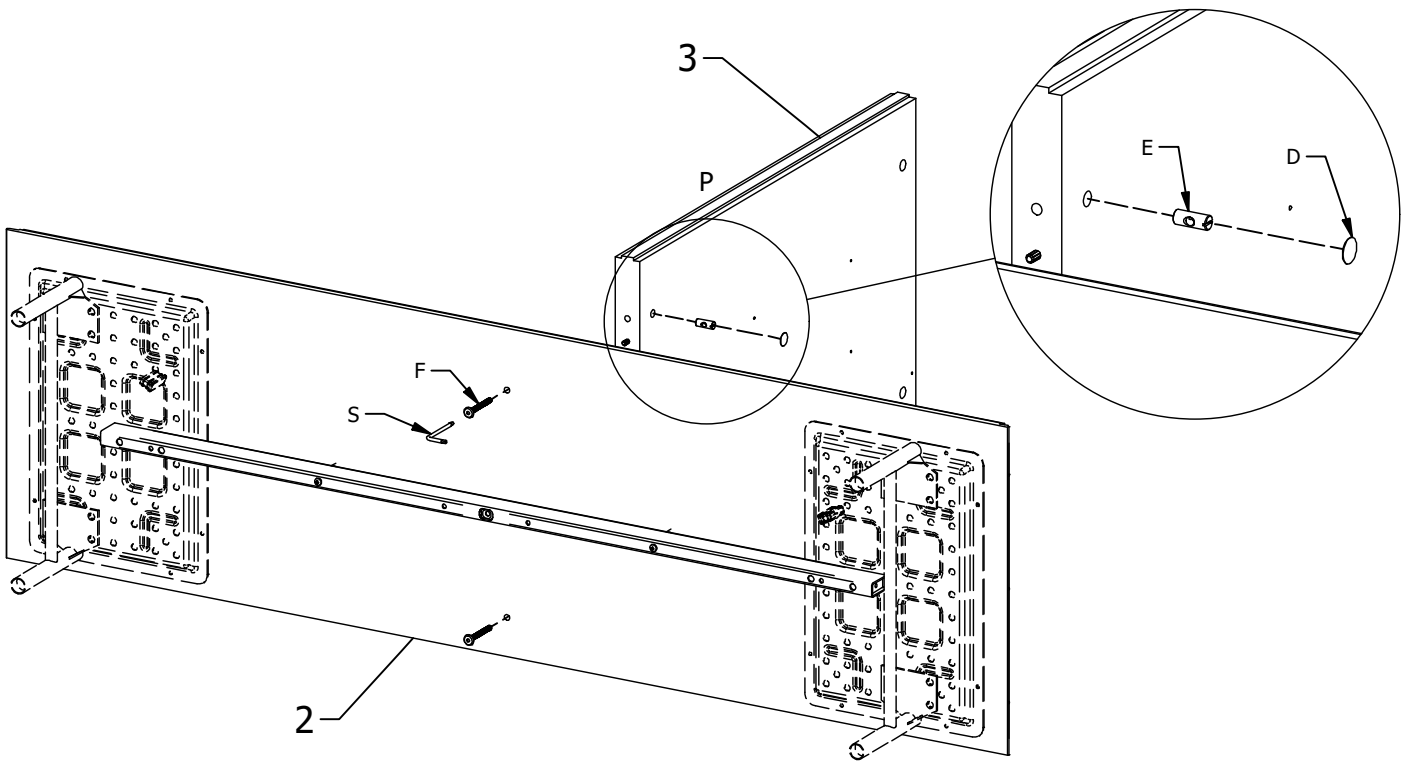



FIG. 5

-  D x 2

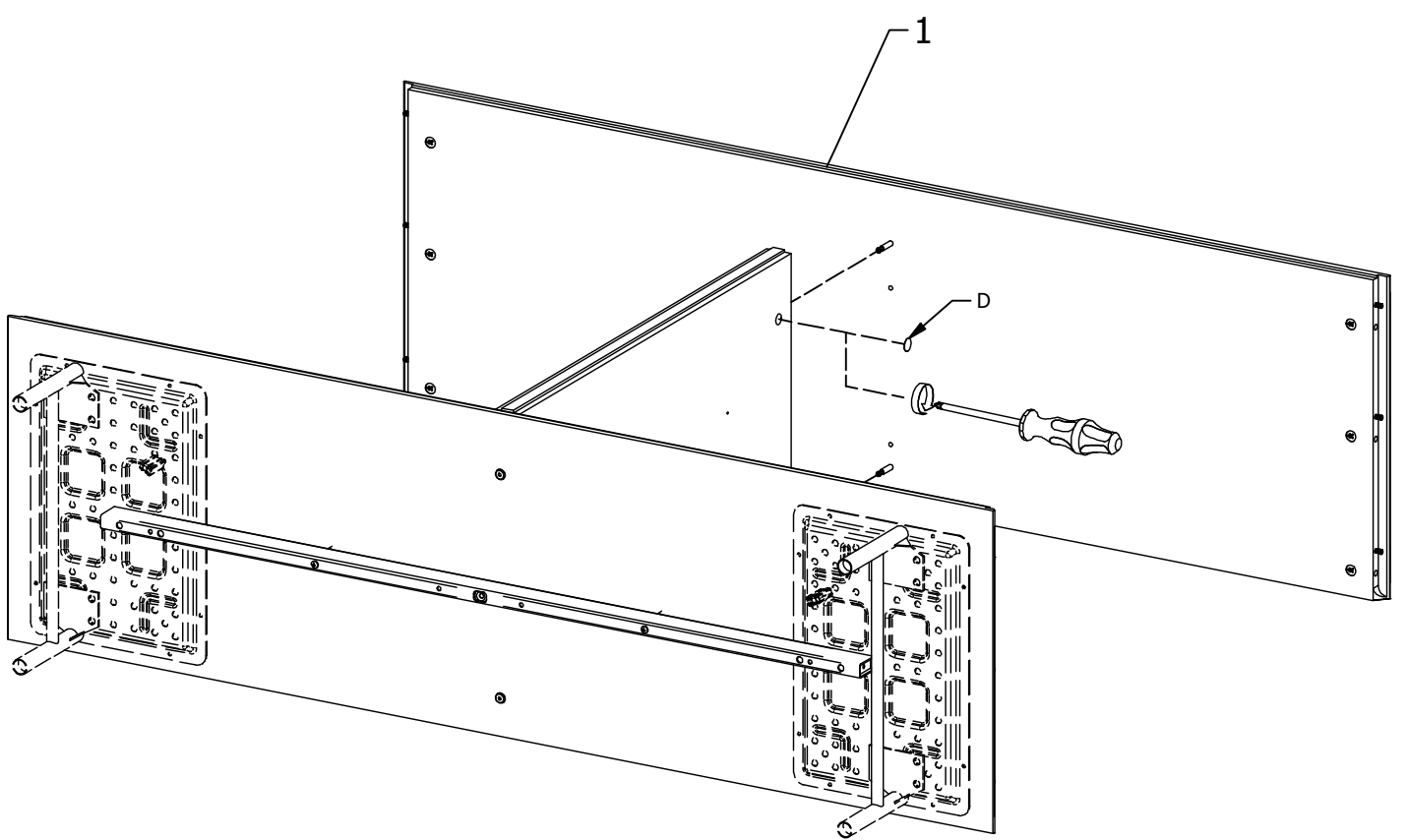


FIG. 6

D x 12

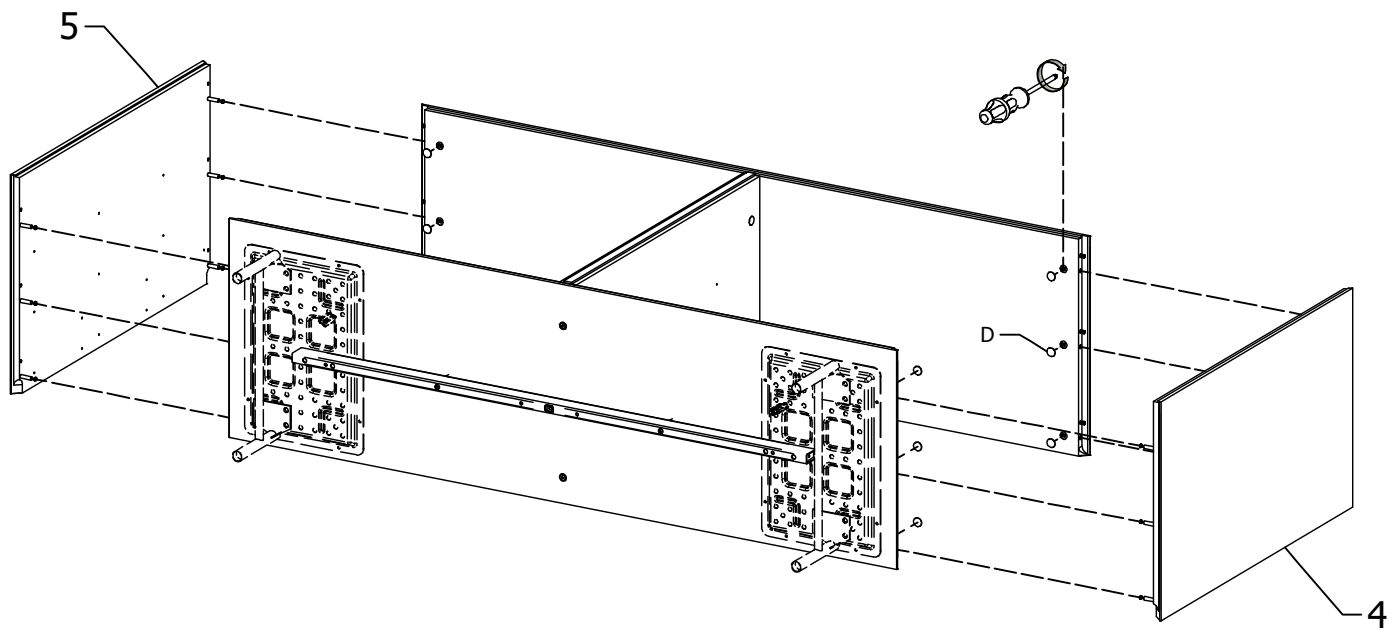


FIG. 7

R x 60

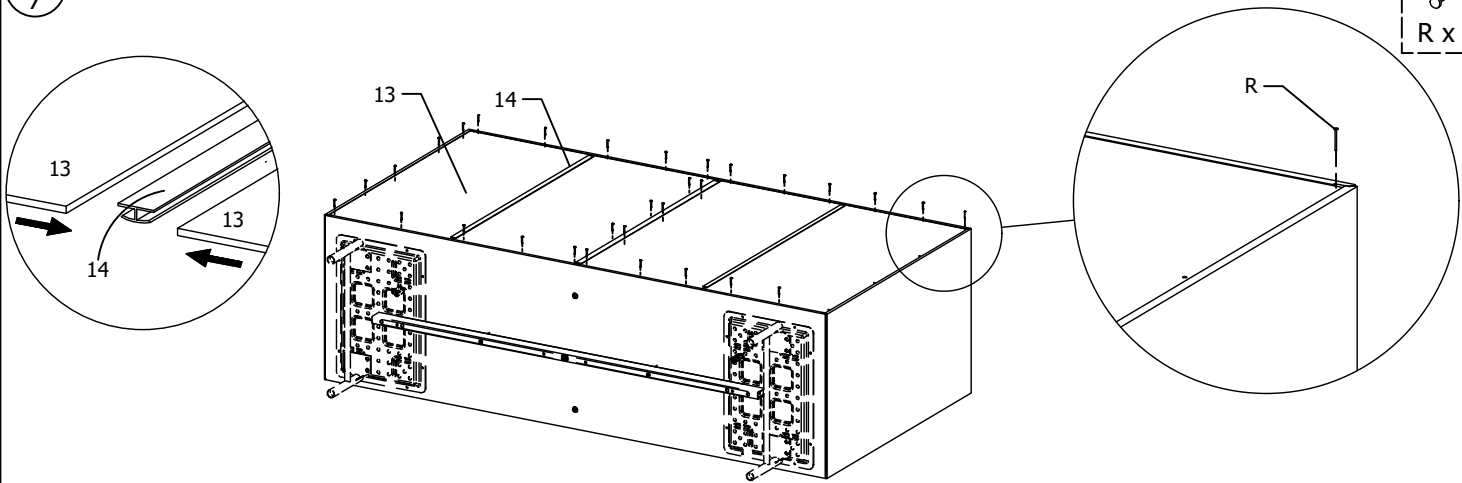


FIG. 8

MM x 16 NN x 16 PP x 16

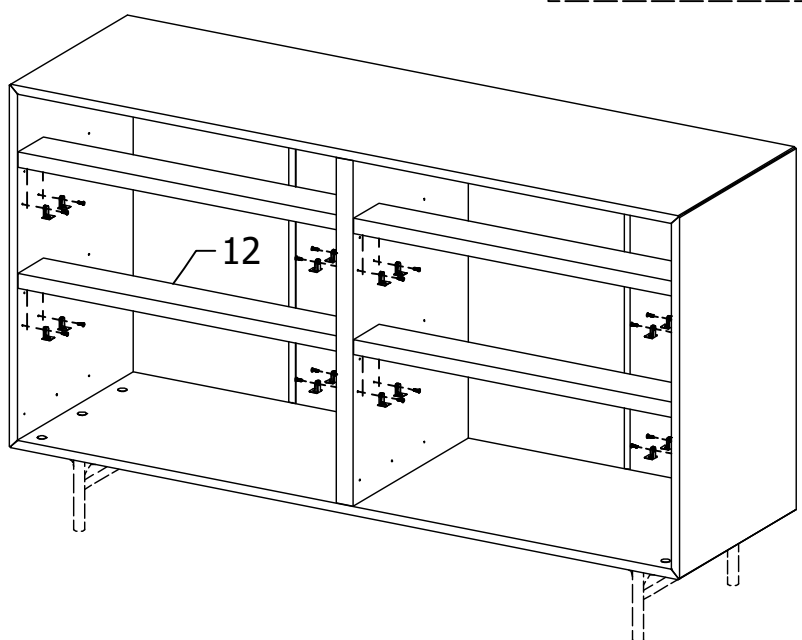
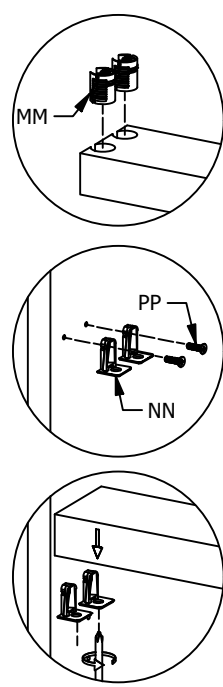


FIG. 9

- EE x 24
- DD x 24
- KK x 6
- SS x 6

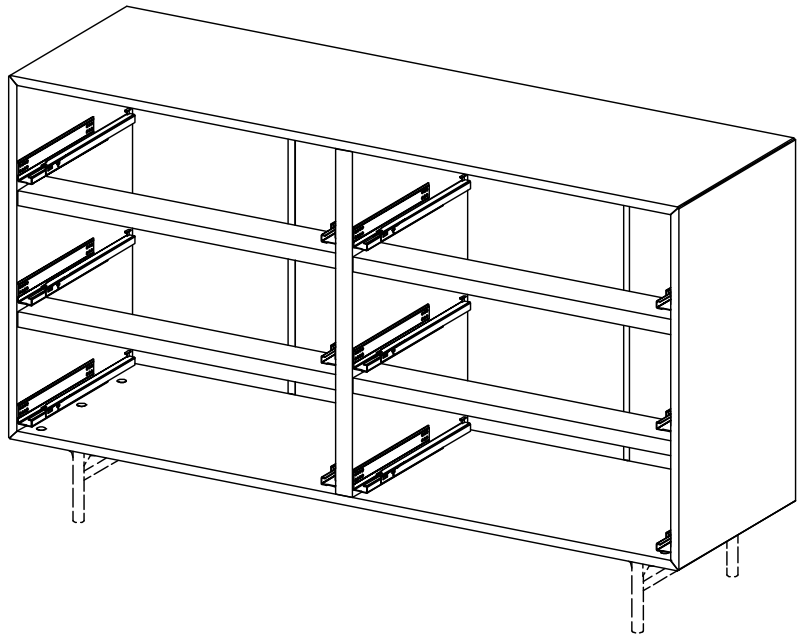
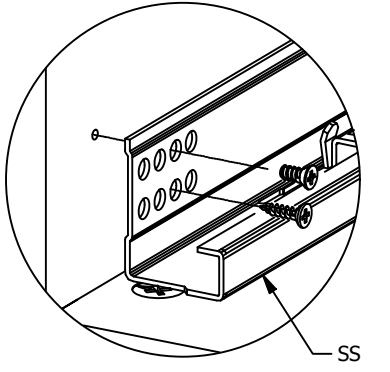
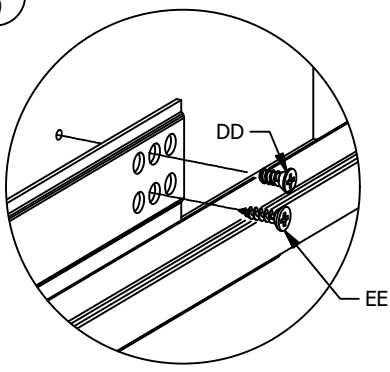


FIG. 10

- A x 24
- RR x 24

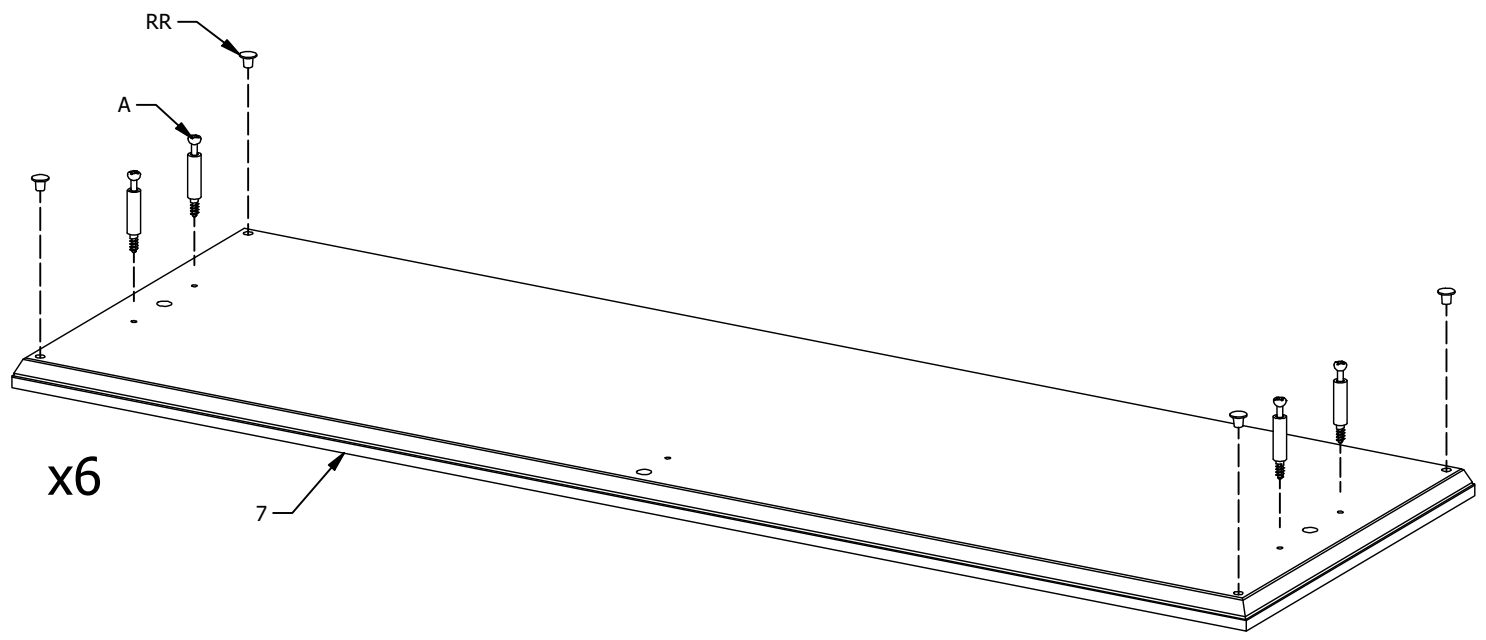


FIG. 11

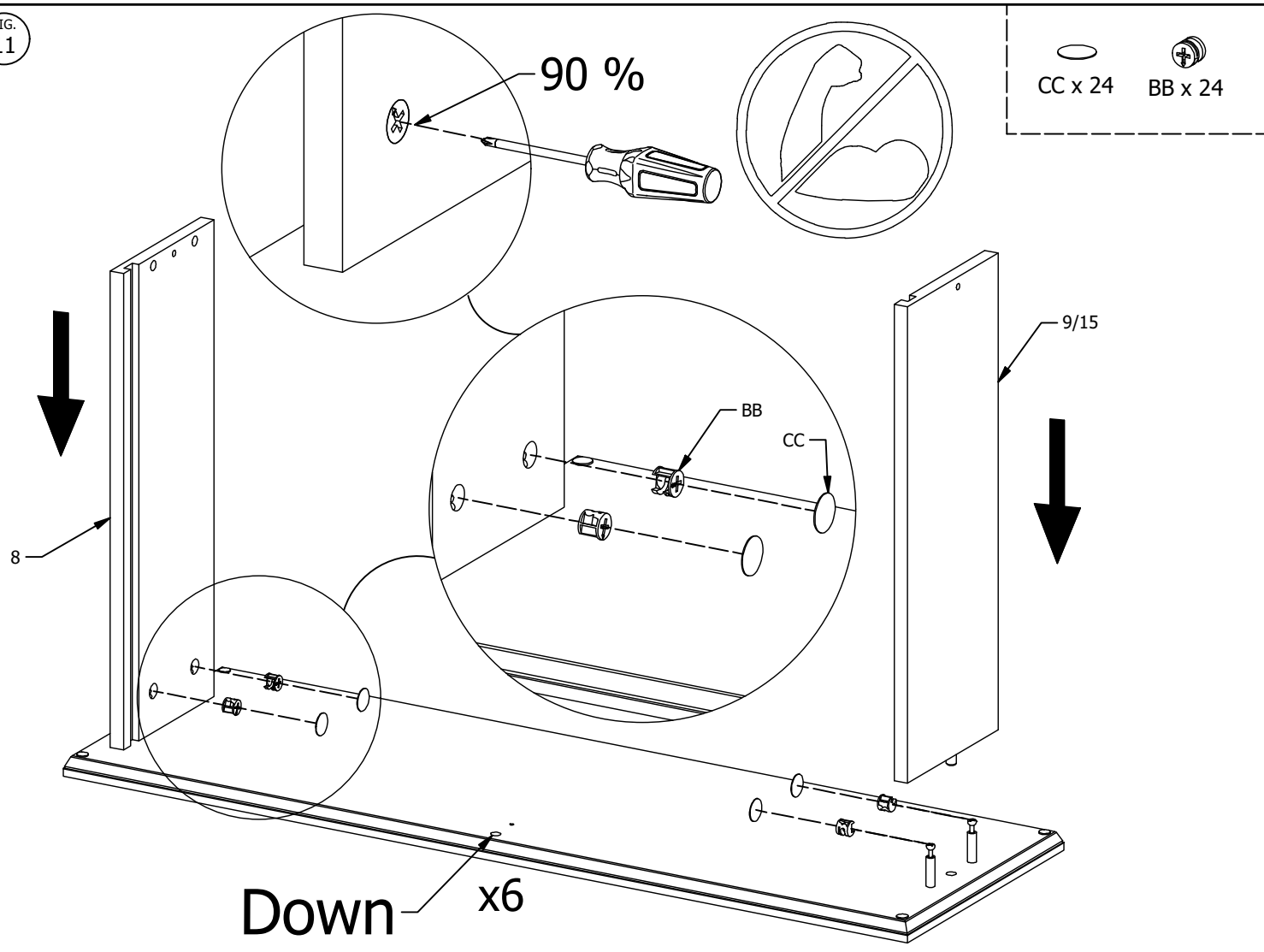


FIG. 12

Important

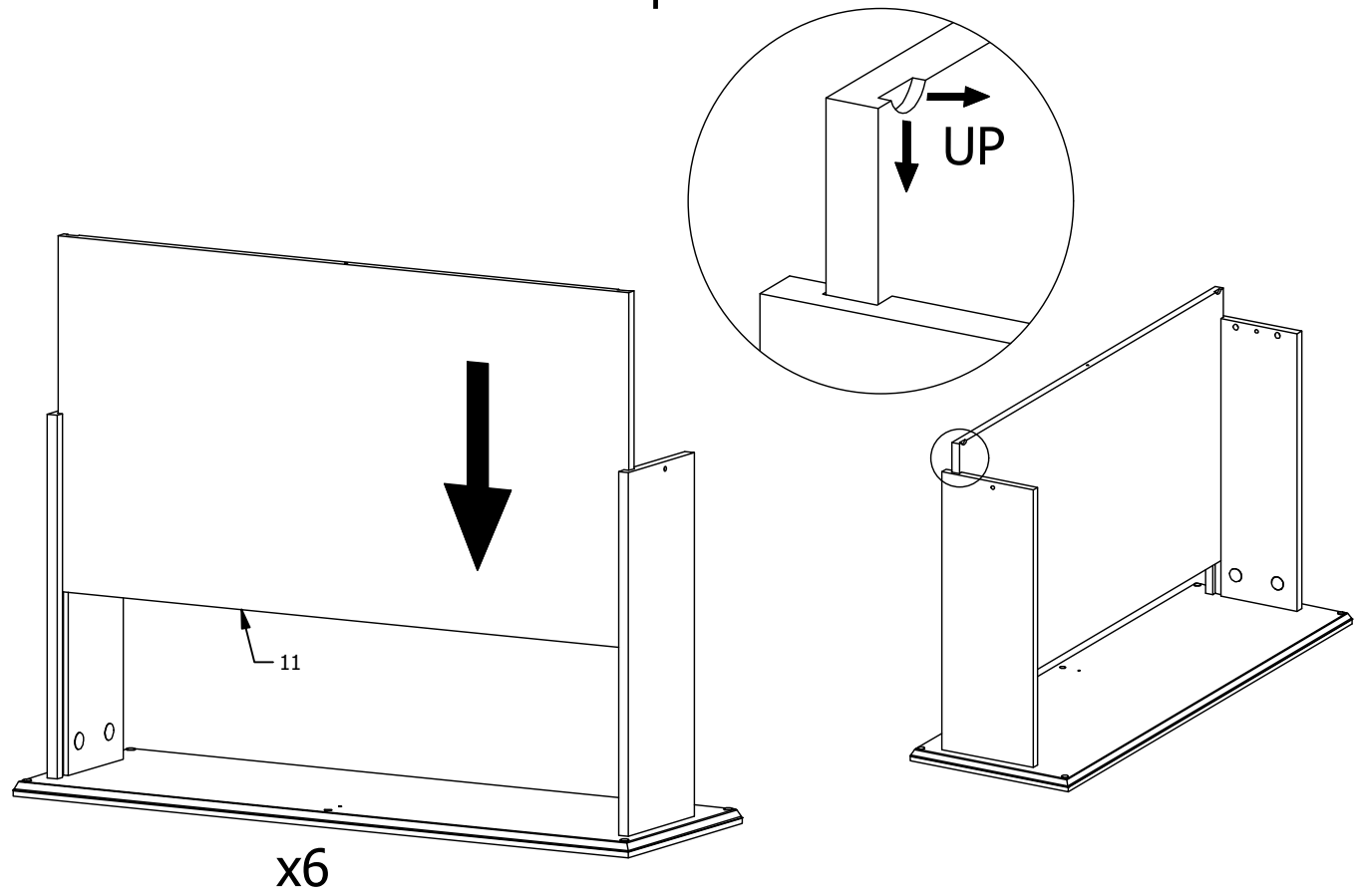
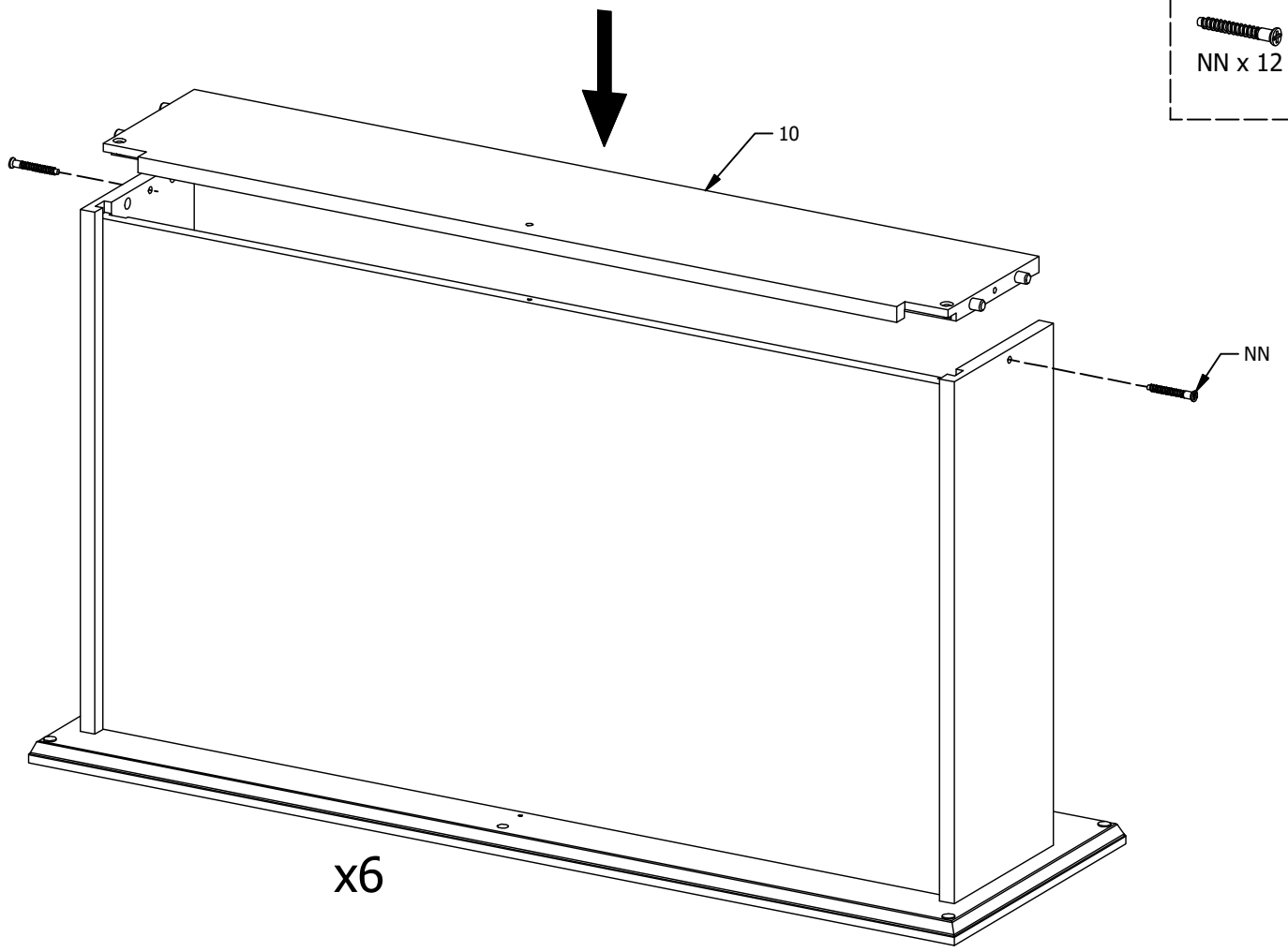


FIG. 13



NN x 12

FIG. 14

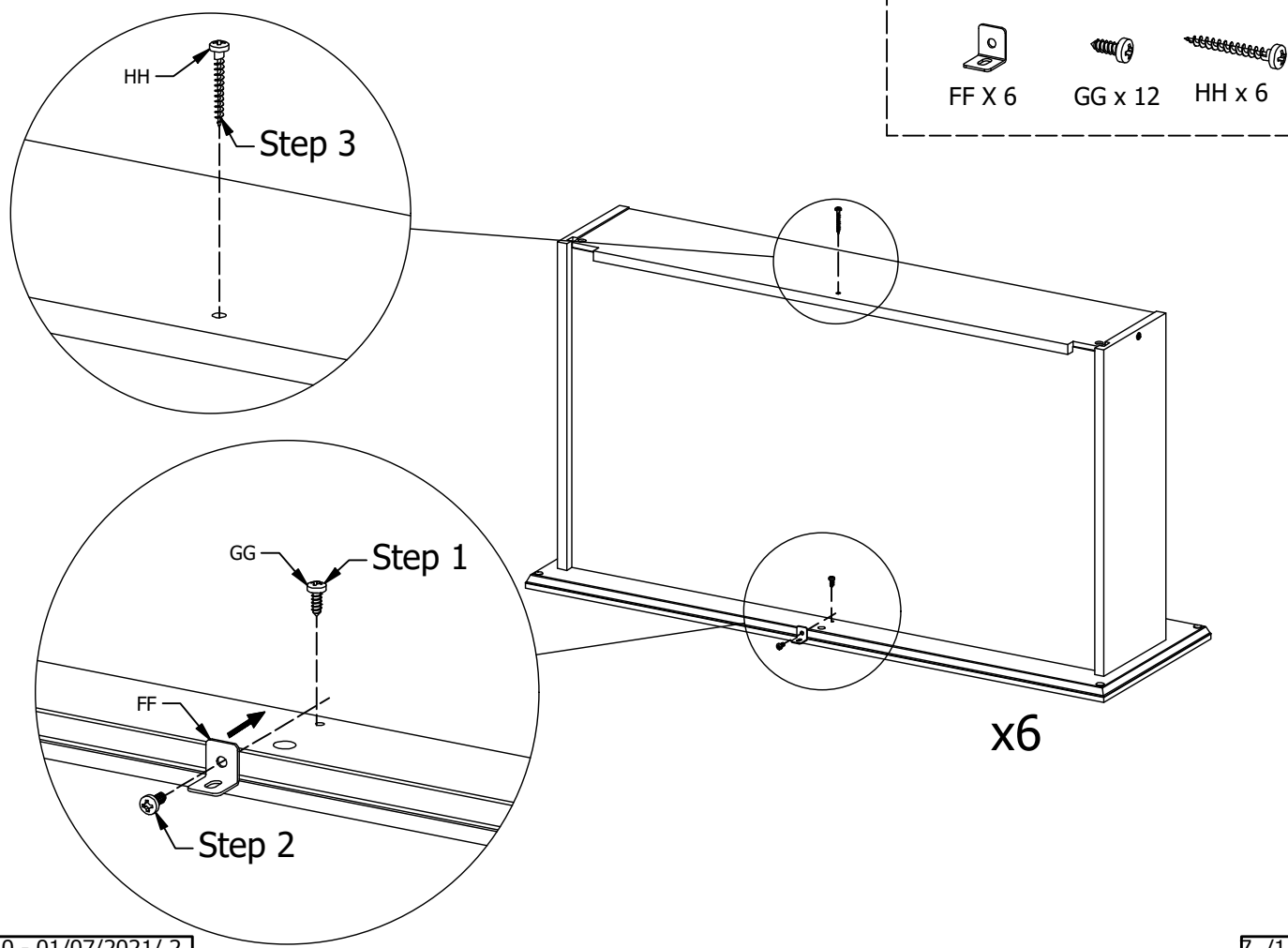


FIG. 15

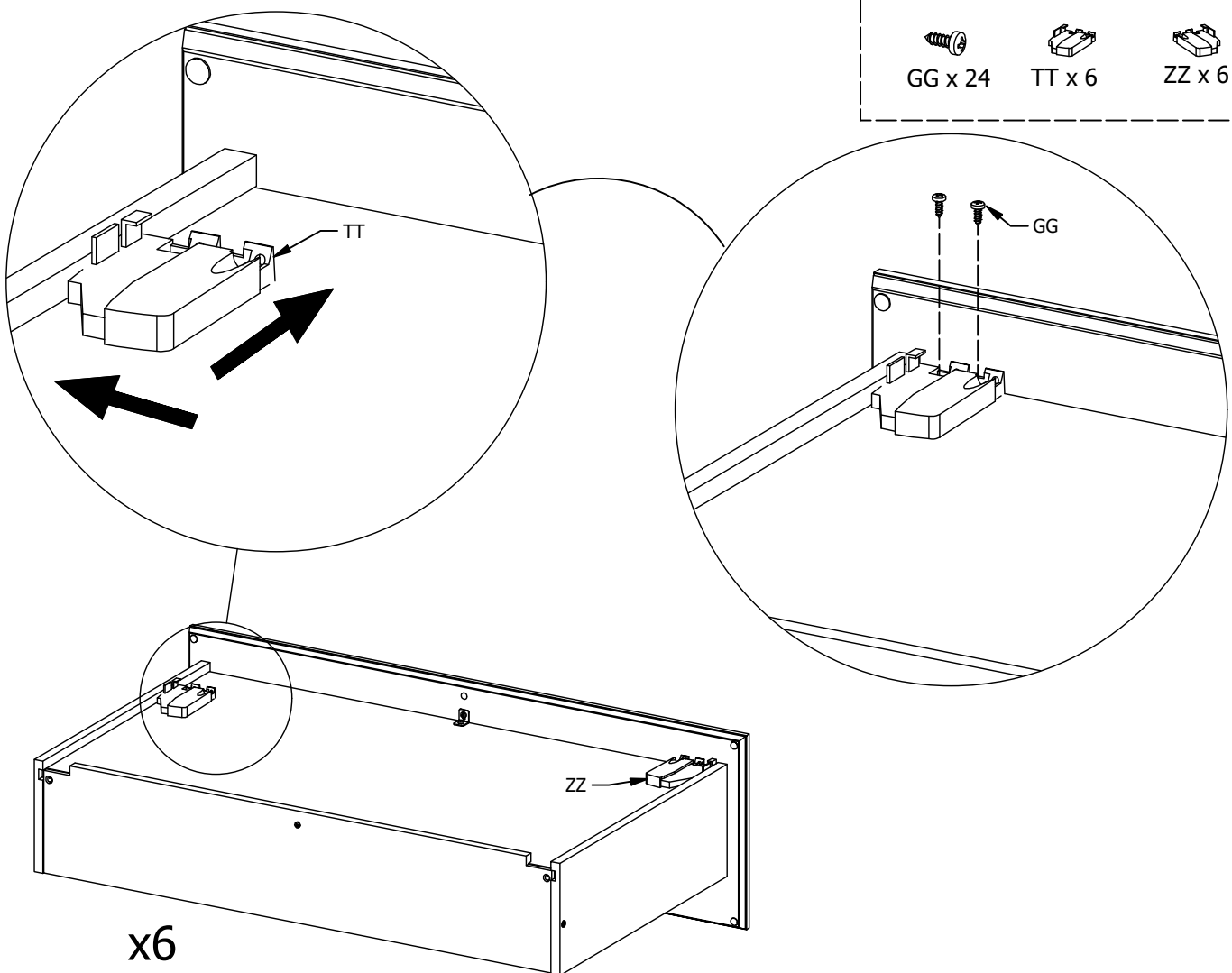
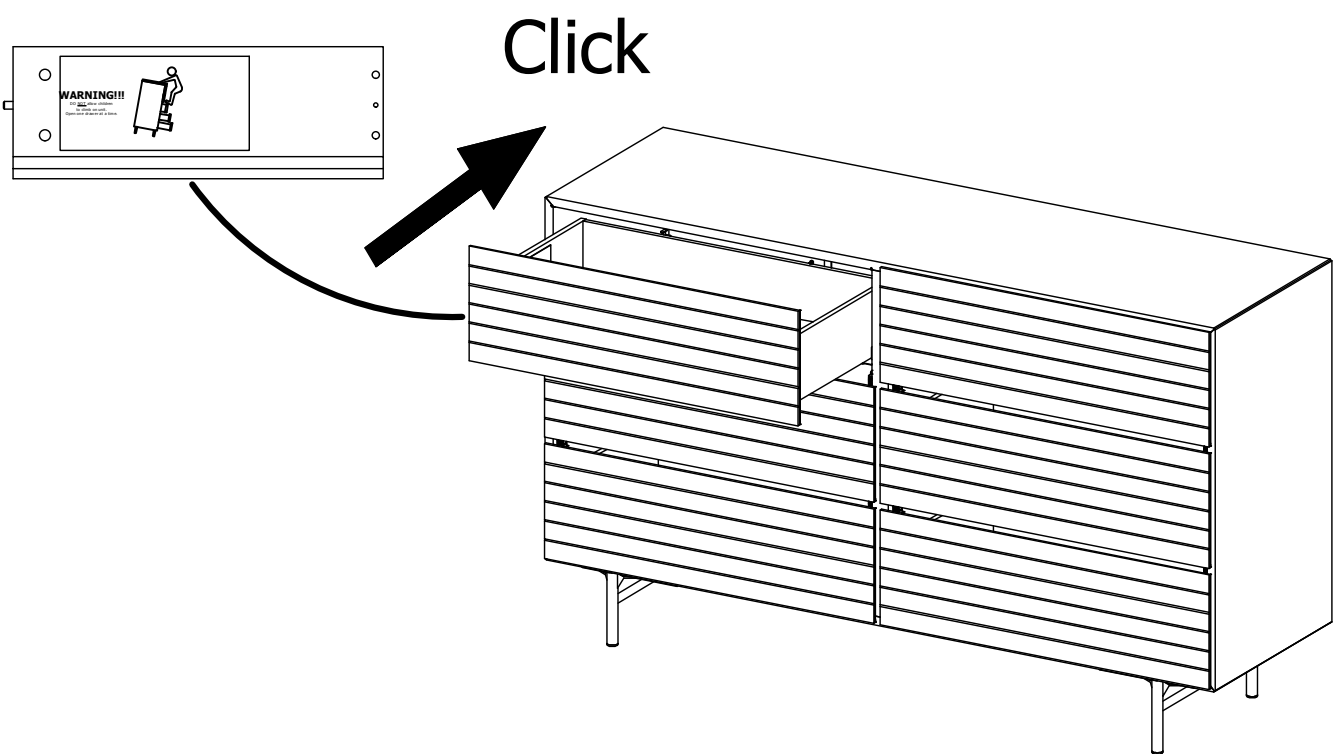
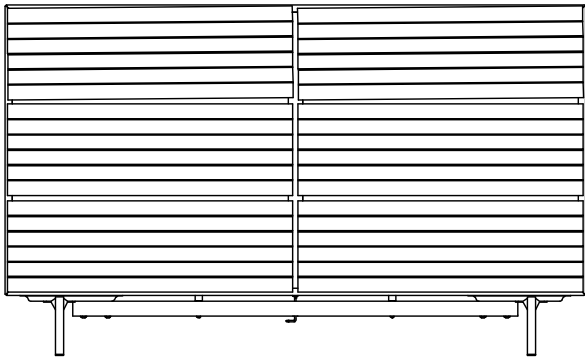


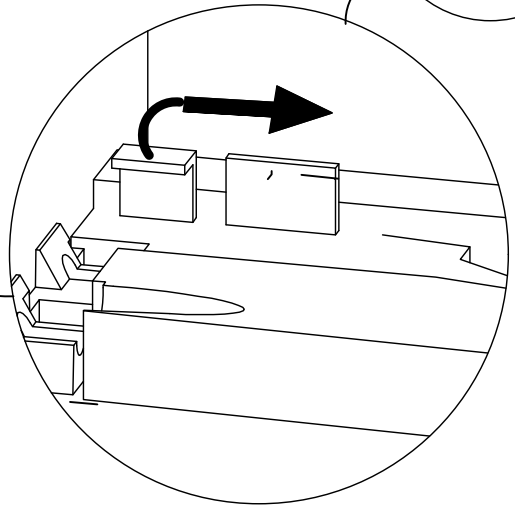
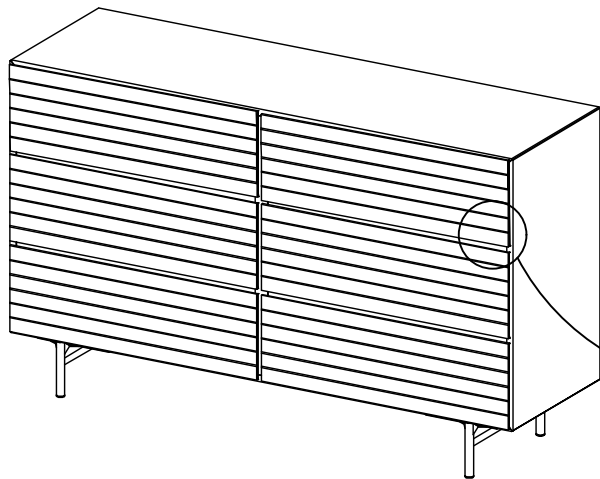
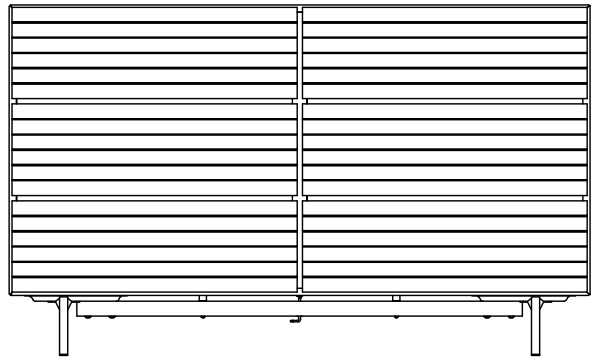
FIG. 16

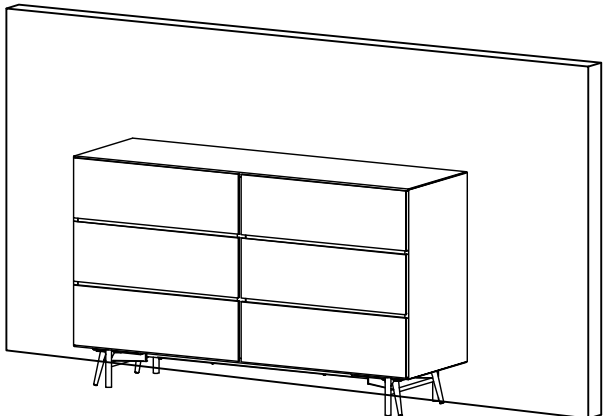
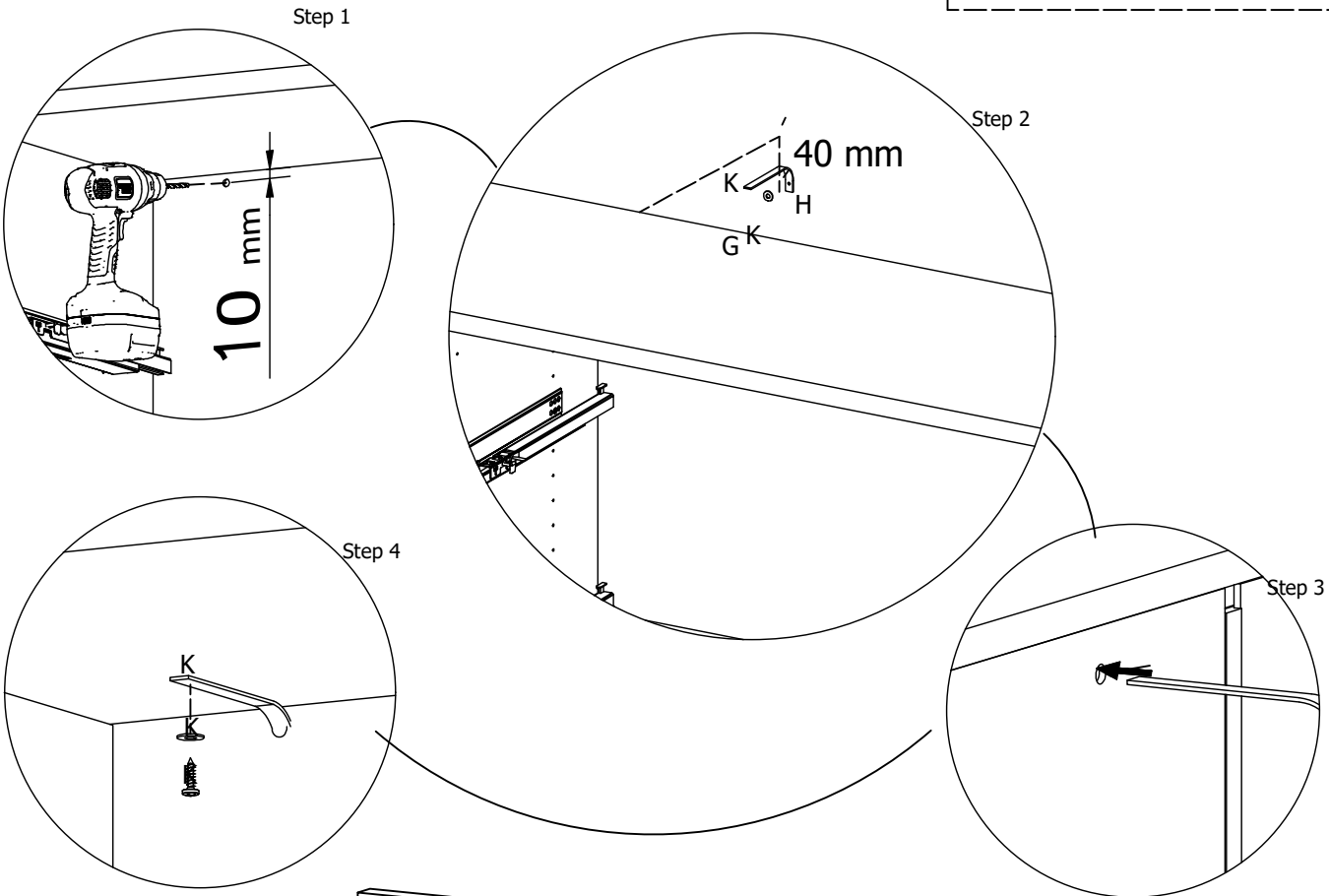
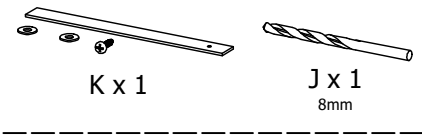


Attention!



OK!





DK:
Vægforhold kan bevirke, at det ikke er tilrådeligt at benytte de medfølgende skruer/rawplugs.

US:
The condition of the wall may mean that it is inadvisable to use the enclosed screws and rawplugs.

D:
Die Wandbeschaffenheit kann ggf. dazu führen, dass eine Verwendung der beigefügten Schrauben/Dübel nicht ratsam ist.

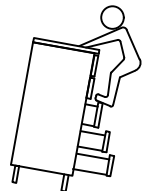
E:
Las condiciones de la pared pueden dar lugar a que no sea recomendable utilizar los tornillos/tacos adjuntos.

F:
Veuillez noter que les vis ou les chevilles jointes ne conviennent pas à tous les types de mur.

NL:
Er zijn muren waarin het niet valt aan te bevelen om de bijgevoegde schroeven/rawplugs te gebruiken.

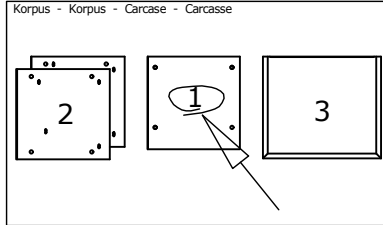
P:
As condições da parede podem fazer com que seja recomendável utilizar os parafusos/buchas de fundo incluídos.

WARNING!!!
DO NOT allow children to climb on unit. Open one drawer at a time.



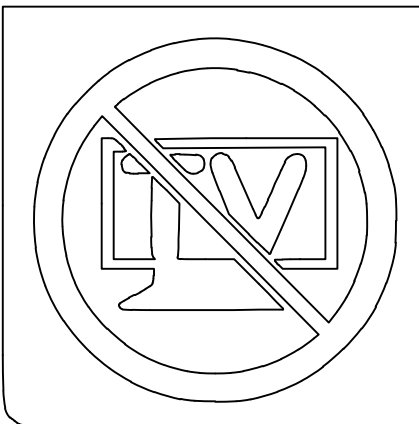
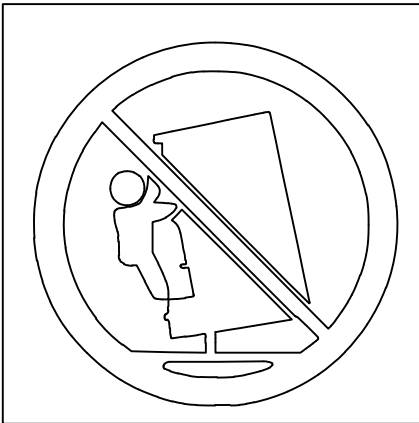
DK Ved reklamation oplyses følgende:
D Im Reklamationsfall, bitte folgendes erläutern:
US In case of claims, please state the following:
F En cas de réclamation, veuillez indiquer:
NL Bij service volgene mededelen
E En caso de reclamación, indicar lo siguiente:
P No caso de reclamação, por favor indique o seguinte:
JP お気づきの点等ございましたら、以下の点をお知らせください。

Example!



Beslag - Fittings - Beschläge - Set de Montage		
A X 8 1972000014	B X 12 1972000004	C X 4 1979110830
D X 2 1970120000	H X 2 1978504022	J X 8 1978204210

WARNING



Children have died from furniture tipover. To reduce the risk of furniture tipover:

- ALWAYS install tipover restraint provided.
- NEVER put a TV on this product.
- NEVER allow children to stand, climb or hang on drawers, doors, or shelves.
- NEVER open more than one drawer at a time.
- Place heaviest items in the lowest drawers.

*This is a permanent label.
Do not remove!*